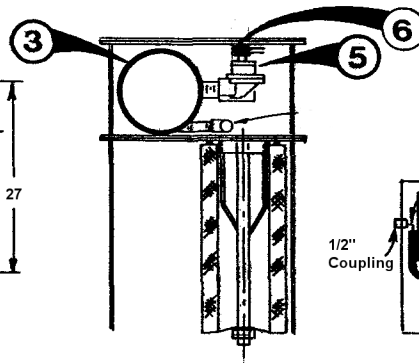
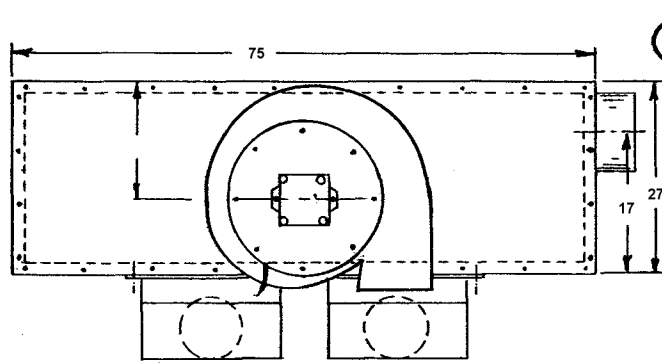
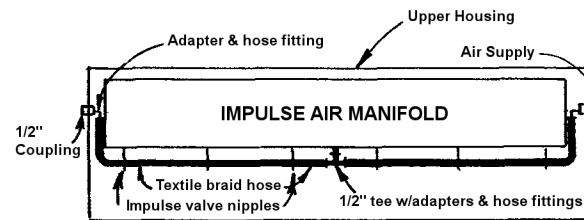


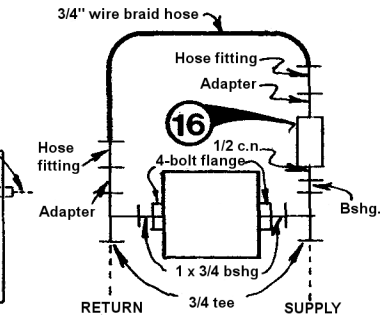
SIZE 4500 *Filter/Clone* DUST COLLECTOR



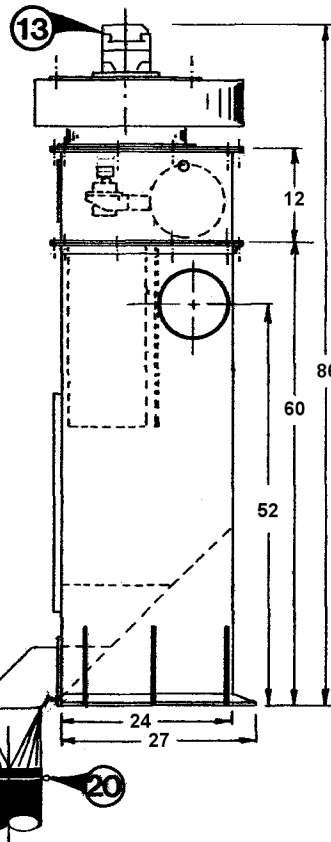
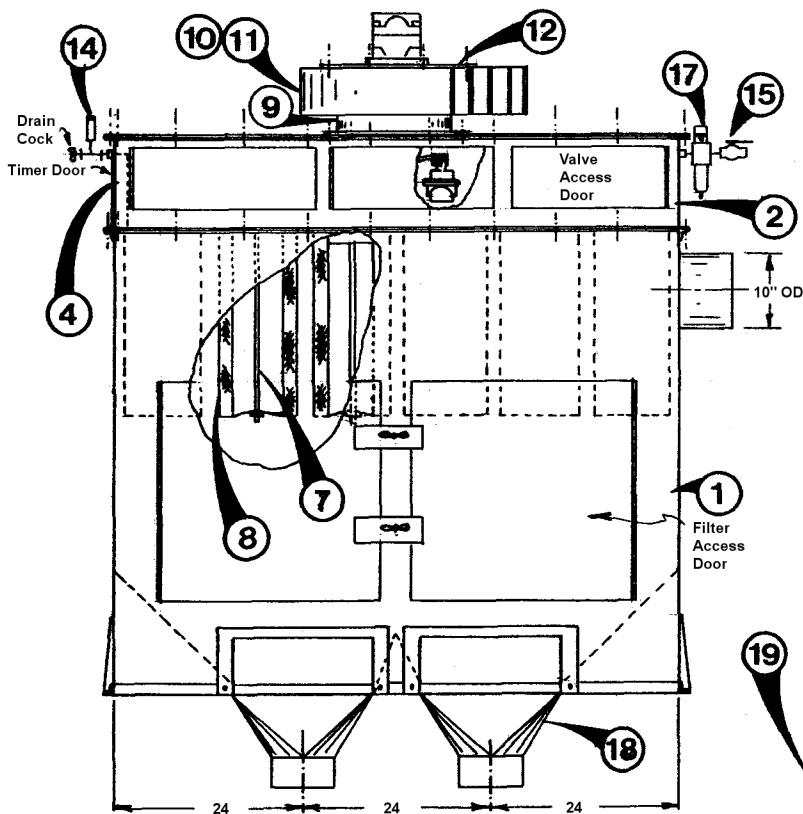
PULSE SYSTEM DETAIL



IMPULSE AIR SCHEMATIC PLAN



HYDRAULIC SCHEMATIC



PARTS LIST			
Item	Part No.	Qty	Description
1	FC040001	1	Lower Housing
2	FC040002	1	Upper Housing
3	FC040004	1	Impulse Air Manifold
4	DET09000	1	DC Electric Timer
5	BT201002	6	Impulse Valve
6	FC401022	6	DC Solenoid Valve
7	FC300020	6	Element Retention
8	FC301021	6	Filter Element
9	FC200013	1	Blower Mount
10	BT197000	1	Blower Housing
11	BT196000	1	Blower Wheel
12	BT197100	1	Blower Top Plate
13	FC501005	1	Hydraulic Motor
14	AV100004	1	Pressure Relief Valve
15	BV710301	1	Ball Valve
16	HV100002	1	Flow Control Valve
17	FR0754FM	1	Filter/Regulator
18	FC030003	2	Dropout Chute
19	BL081602	2	Dropout Hose
20	HC000128	2	Dropout Hose Clamp
21	DV553003	1	3/8" Drain Cock