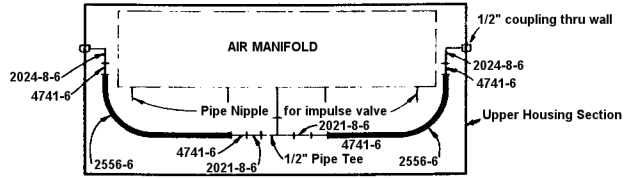
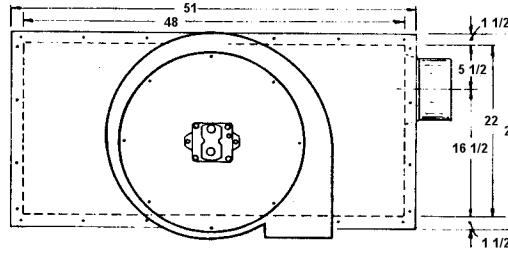


Size 3600 *Filter/Clone* DUST COLLECTOR



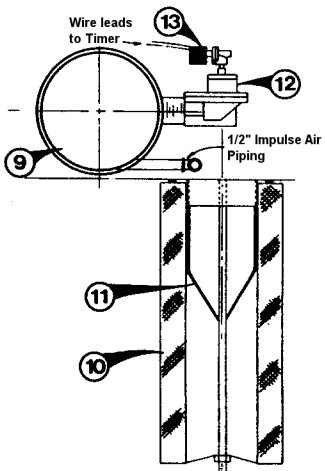
Impulse Air Piping Plan



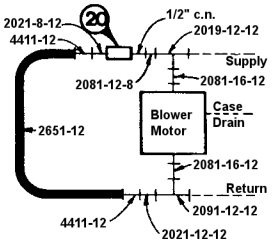
Top View

NOTES:

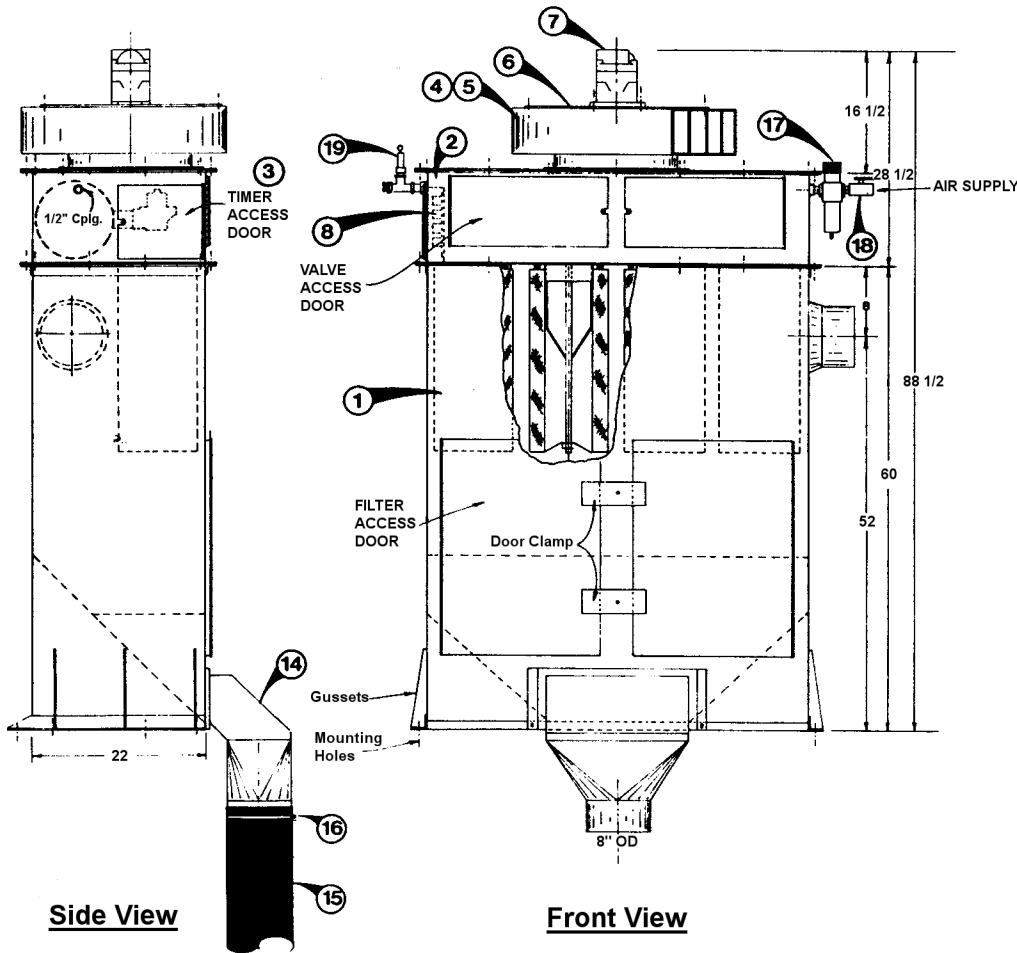
1. Alternate hydraulic motors available to match specific drill requirements (may require different blower top plate, Item 6)
2. Solenoid valves (item 13) may be mounted on Impulse valves as shown, or on timer mounting plate. For 12 VDC systems, specify FC401012 valve.



Pulse System Detail



Hydraulic Schematic



Side View

Front View

PARTS LIST

Item	Part No.	Qty	Description
1	FC030001	1	Lower Housing
2	FC030002	1	Upper Housing
3	FC200013	1	Blower Mount
4	TI206000	1	Blower Wheel
5	BT207000	1	Blower Housing
6	BT206100	1	Blower Top Plate
7	FC501005	1	Hydraulic Motor
8	DET09000	1	DC Electric Timer
9	FC030004	1	Impulse Air Manifold
10	FC301021	4	Filter Element
11	FC300020	4	Element Retention
12	FC201002	4	Impulse Valve
13	FC401022	4	DC Solenoid Valve
14	FC030003	1	Transition Chute
15	BL081602	1	Dropout Hose
16	HC000128	1	Dropout Hose Clamp
17	FR0754FM	1	Filter/Regulator
18	BV710301	1	Ball Valve
19	AV100004	1	Pressure Relief Valve
20	HV100002	1	Flow Control Valve