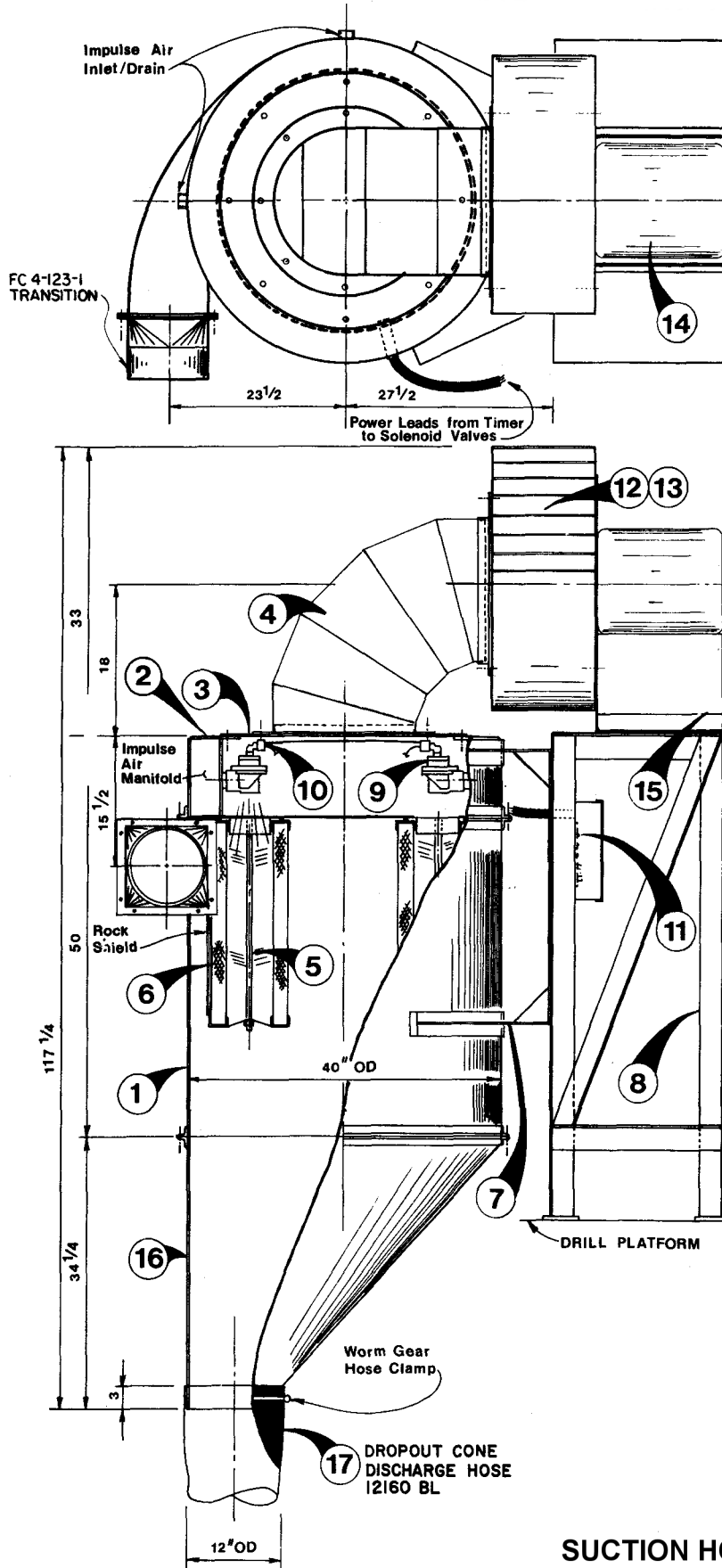
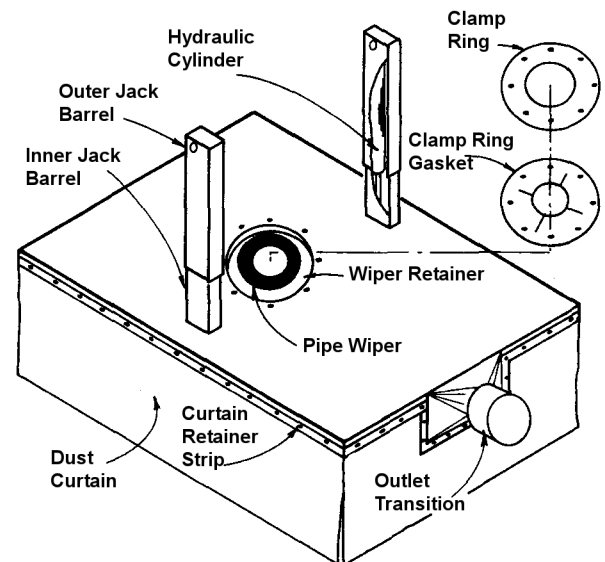


# SIZE 4SB *Filter/Clone* DUST COLLECTOR (ELECTRIC MOTOR DRIVE)



## PARTS LIST

Item	Part No.	Qty	Description
1	FC40001L	1	Lower Housing
2	FC40001U	1	Upper Housing
3	FC50441T	1	Housing Top Plate
4	FC700140	1	Blower Inlet
5	FC300020	6	Element Retention
6	FC301001	6	Filter Element
7	FC401011	1	Mounting Saddle
8	Call for P/N	1	Mounting Frame
9	FC201002	6	Impulse Valve
10	FC501002	6	AC Solenoid Valve
11	ET100000	1	AC Electric Timer
12	BL365100	1	Blower Housing
13	BL365200	1	Blower Wheel
14	Call for P/N	1	20 HP Elec. Motor
15	FC401400	1	Motor Stand
16	FC400012	1	Dropout Cone



**DUST BOX ASSEMBLY**

**SUCTION HOSE** - 10" ID Abrasion resistant rubber polymer.  
Available in 12.5 ft. or 25 ft. lengths.