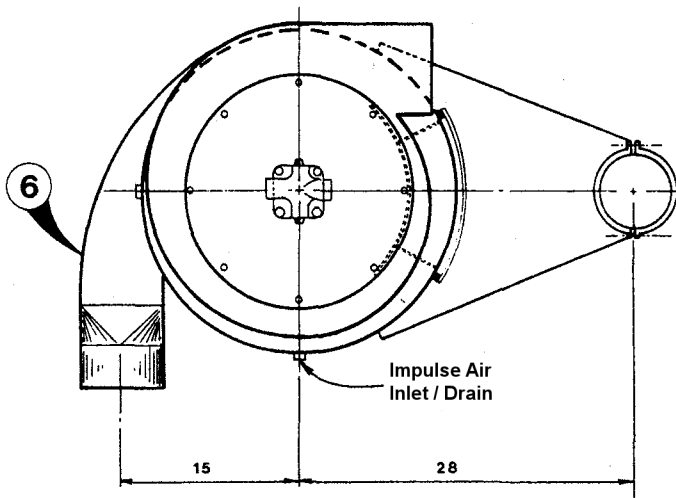
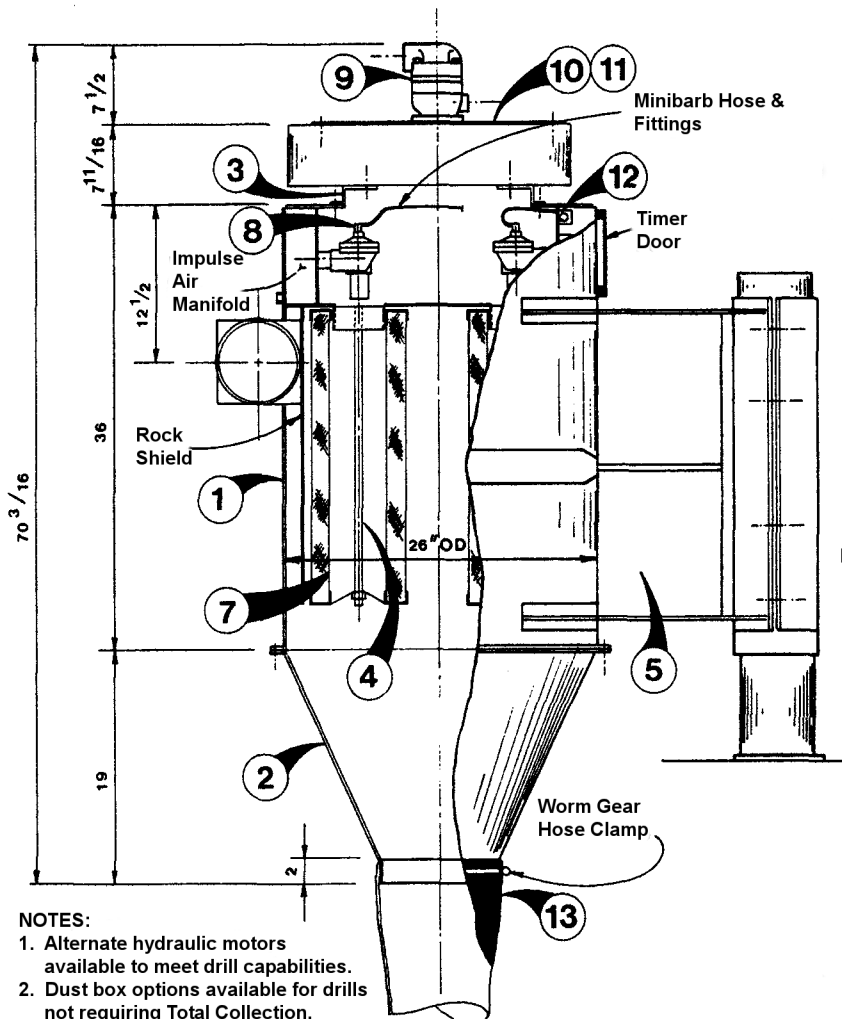


SIZE 2R4 *Filter/Clone* DUST COLLECTOR (HYDRAULIC MOTOR DRIVE)



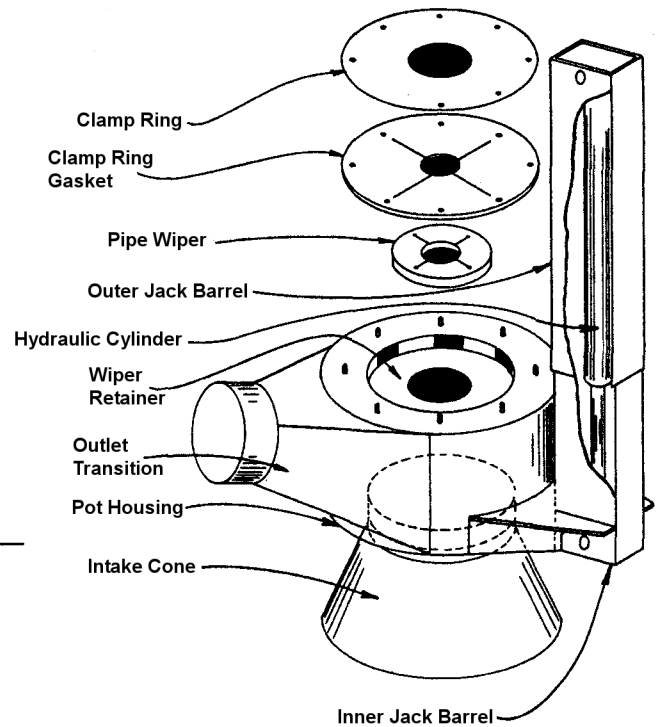
PARTS LIST			
Item	Part No.	Qty	Description
1	FC200011	1	Housing
2	FC200012	1	Dropout Cone
3	FC200013	1	Blower Mount
4	FC200402	4	Element Retention
5	FC200115	1	Mount Post/Saddle
6	FC201230	1	Replaceable Inlet
7	FC201001	4	Filter Element
8	FC151002	4	Impulse Valve
9	FC201005	1	Hydraulic Motor
10	BT185000	1	Blower Housing
11	BT184000	1	Blower Wheel
12	AT100000	1	Pneumatic Timer
12	DET09000	1	Electric Timer
14	BL101601	1	Dropout Hose

Customer can choose between pneumatic or electric timer.



NOTES:

1. Alternate hydraulic motors available to meet drill capabilities.
2. Dust box options available for drills not requiring Total Collection.



PICKUP POT

SUCTION HOSE - 7" ID Abrasive Resistant Rubber Polymer
Available in various lengths.

