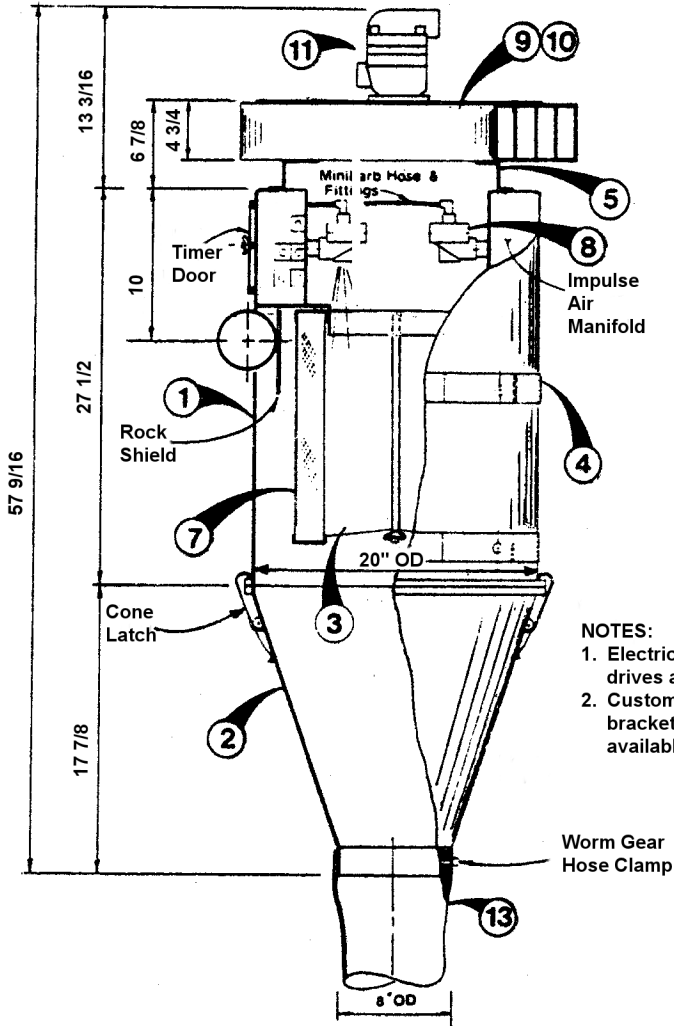
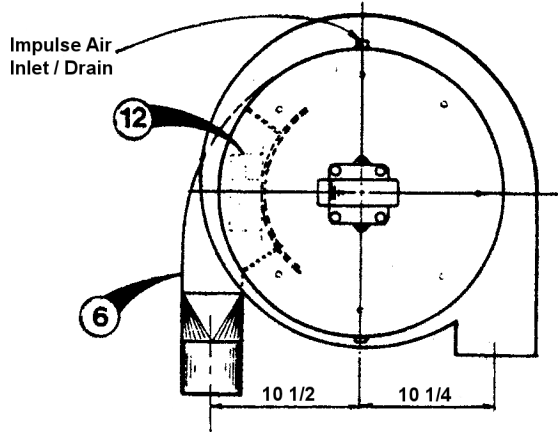


SIZE 1 *Filter/Clone* DUST COLLECTOR (HYDRAULIC MOTOR DRIVE)

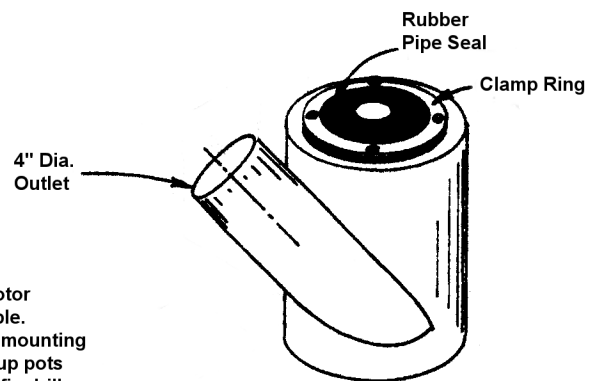


NOTES:

1. Electric and air motor drives also available.
2. Custom-designed mounting brackets and pickup pots available for specific drills.

PARTS LIST

Item	Part No.	Qty	Description
1	FC101020	1	Housing
2	FC101030	1	Dropout Cone
3	FC100040	1	Element Retention
4	FC101050	2	Mounting Band
5	FC200013	1	Blower Mount
6	FC101100	1	Replaceable Inlet
7	FC101001	1	Filter Element
8	FC101002	4	Impulse Valve
9	BT174000	1	Blower Housing
10	BT173000	1	Blower Wheel
11	FC101005	1	Hydraulic Motor
12	AT100000	1	Pneumatic Timer
13	BL081601	1	Dropout Hose



PICKUP POT

SUCTION HOSE - 4" ID Abrasive resistant Rubber Polymer
Available in lengths to 35ft.