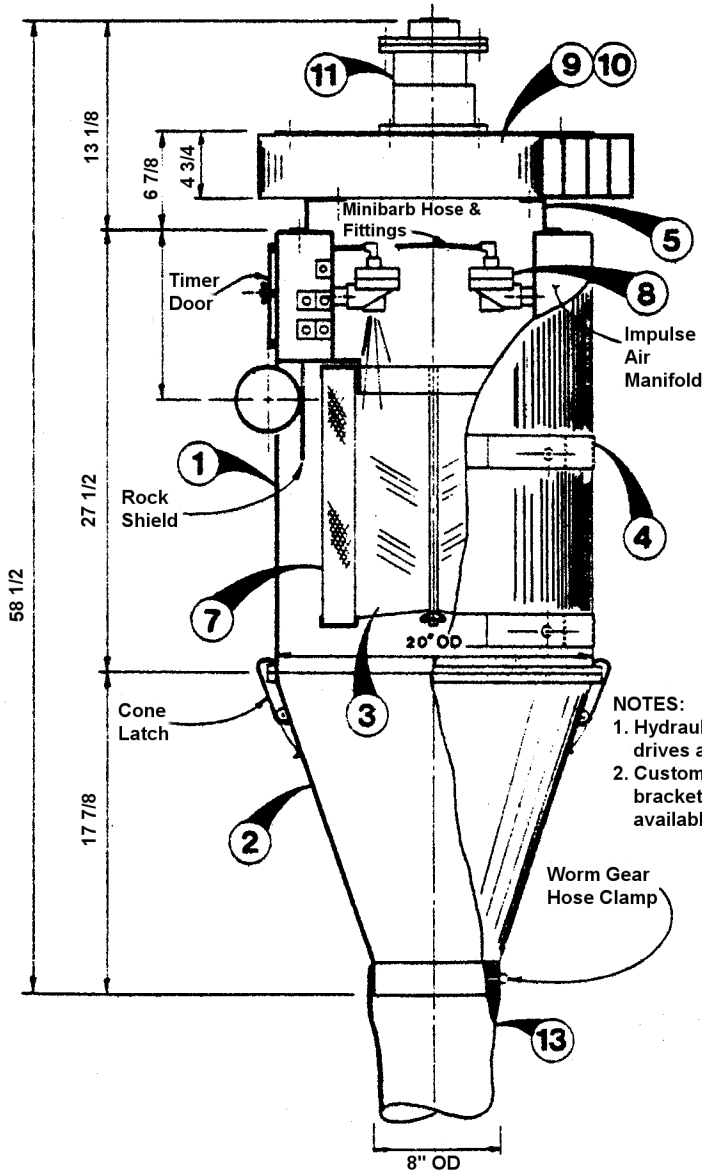
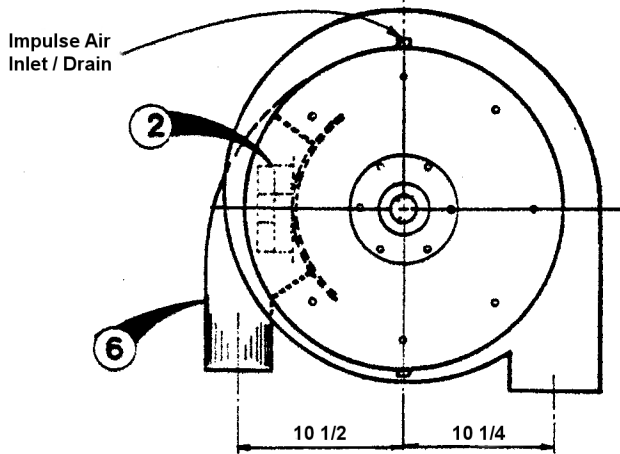
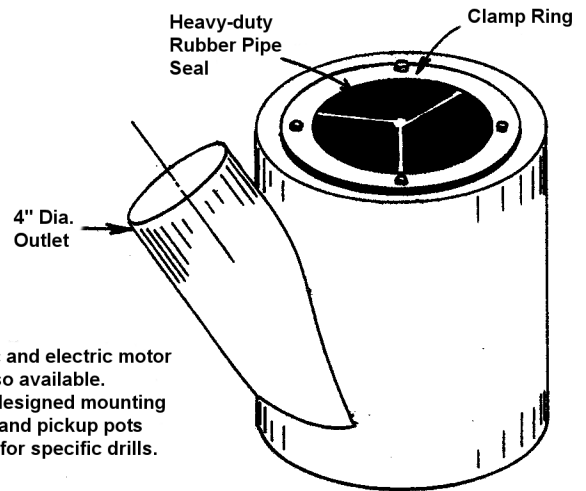


SIZE 1 *Filter/Clone* DUST COLLECTOR (AIR MOTOR DRIVE)



PARTS LIST			
Item	Part No.	Qty	Description
1	FC101020	1	Housing
2	FC101030	1	Dropout Cone
3	FC100040	1	Element Retention
4	FC101050	2	Mounting Band
5	FC200013	1	Blower Mount
6	FC101100	1	Replaceable Inlet
7	FC101001	1	Filter Element
8	FC101002	4	Impulse Valve
9	BT174000	1	Blower Housing
10	BT173000	1	Blower Wheel
11	FC101004	1	Air Motor
12	AT100000	1	Pneumatic Timer
13	BL081601	1	Dropout Hose



Pickup Pot

NOTES:
 1. Hydraulic and electric motor drives also available.
 2. Custom-designed mounting brackets and pickup pots available for specific drills.

SUCTION HOSE - 4" ID Abrasive resistant Rubber Polymer
 Available in lengths to 35ft.