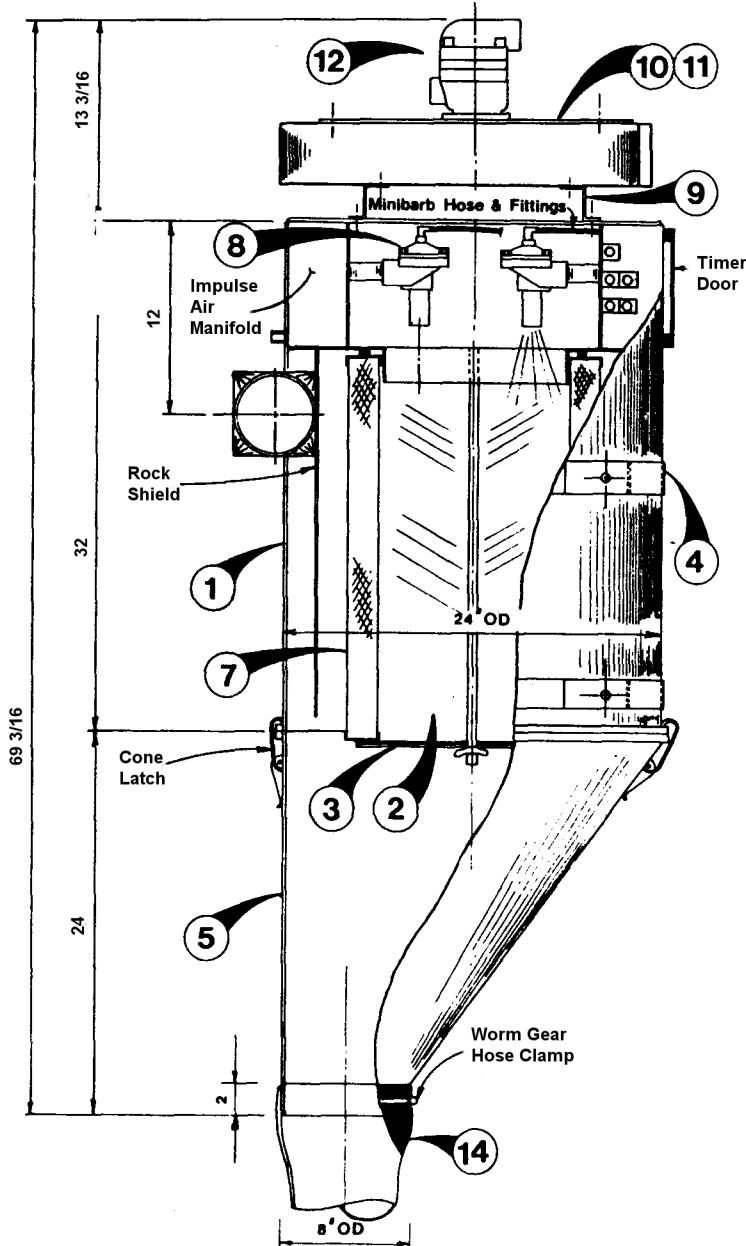
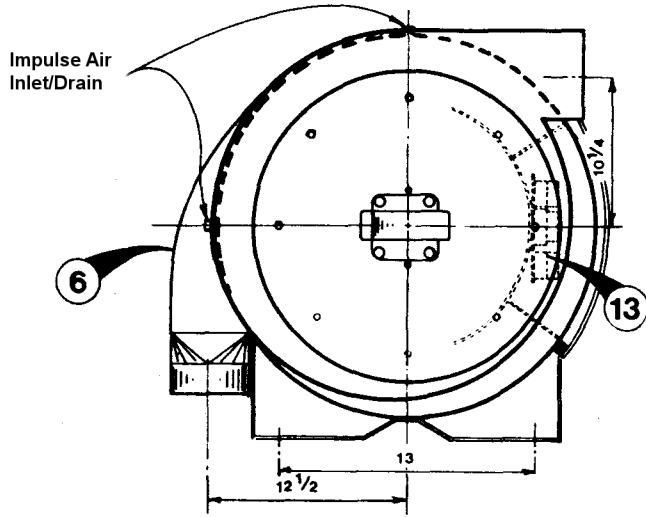
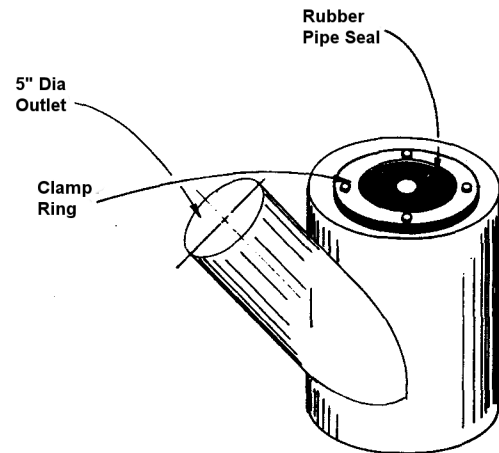


SIZE 1-1/2 *Filter/Clone* DUST COLLECTOR (HYDRAULIC MOTOR DRIVE)



PARTS LIST

Item	Part No.	Qty	Description
1	FC150010	1	Housing
2	FC150020	1	Element Retention
3	FC150040	1	Element Bottom Plate
4	FC150050	2	Mounting Band
5	FC150060	1	Dropout Cone
6	FC150110	1	Replaceable Inlet
7	FC151001	1	Filter Element
8	FC151002	4	Impulse Valve
9	FC200013	1	Blower Mount
10	BT174000	1	Blower Housing
11	BT173000	1	Blower Wheel
12	FC101005	1	Hydraulic Motor
13	AT100000	1	Pneumatic Timer
14	BL081601	1	Dropout Hose



PICKUP POT